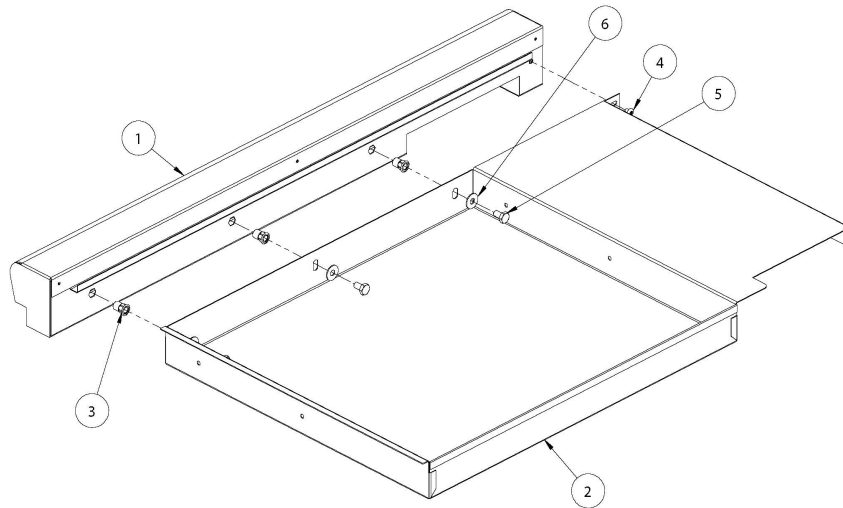


LSMK Bullnose Assembly

Click on any circled item, then add the part to your cart. If it won't click, the part is not available. If the part is not available, please call us at: 888.988.4546



Item	Part No.	Name	Qty	Uom	NOTES
1	70491	BULLNOSE, FILLER, WLDMT	1	EA	
2	35889	DRAWER BODY	1	EA	
3	32769	NUT, 1/4-20, INSERT, STEEL, ZINC	3	EA	
4	32389	SCREW, #8-32 X 1/4, THP, SS	1	EA	
5	14030	SCREW, 1/4-20 X 1/2, HHD, SS	3	EA	
6	14044	Washer, 1/4, Flat, SS, 11/16 O.D.	3	EA	